

EVE



Instruction manual HS-T62C-60

จัดจำหน่าย

บริษัท สยามแมเนเจอร์ กรุ๊ป จำกัด

660 ซอยนวมินทร์ 81 แยก 3-42

แขวงนวมินทร์ เขตบึงกุ่ม กรุงเทพฯ 10240

โทร. 02-033-5400

● www.eve.co.th ● www.facebook.com/evethailand

ศูนย์บริการหลังการขาย

บริษัท เฟิสท์ เซอร์วิส เซ็นเตอร์ (ไทยแลนด์) จำกัด

660 ซอยนวมินทร์ 81 แยก 3-42

แขวงนวมินทร์ เขตบึงกุ่ม กรุงเทพฯ 10240

โทร. 02-033-5422

Instruction manual**1. GENERAL**

- A) Carefully read the following important information regarding installation safety and maintenance. Keep this information booklet accessible for further consultations.
- B) The appliance has been designed as a exhausting version (external exhaust) or as a filter version (inter air recycle) cooker hood.

2. SAFETY PRECAUTION

- A) Take care when the cooker hood is operating simultaneously with an open fireplace or burner that depend on the air from the environment and are supplied by other than electrical energy, as the cooker hood removes the air from the environment which a burner or fireplace need for combustion.
- B) Provide adequate ventilation in the environment for a safe operation for the cooker hood.
- C) Follow the local laws applicable for external air evacuation
- D) Appliance shall only be used with rated voltage and frequency.
- E) There is a fire risk if cleaning is not carried out in accordance with the instruction.

3. WARNING

In certain circumstances electrical appliances may be a danger hazard.

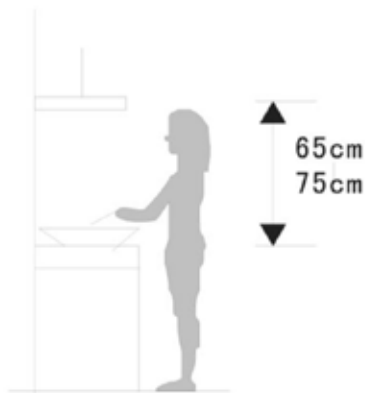
- A) Do not check the status of the filters while the cooker hood is operating.
- B) Do not touch the light bulbs after appliance use.
- C) Do not disconnect the appliance with wet hands and without to force the supply cord..
- D) Flame cooking is prohibited underneath cooker hood.
- E) Avoid free flame, as it is damaging for the filters and a fire hazard.
- F) Constantly check food frying to avoid that the overheated oil may become a fire hazard .
- G) Disconnect the electrical plug prior to any maintenance.
- H) Children don't recognize the risks of electrical appliance. Therefore use or keep the appliance only under supervision of adults and out of the reach from children.
- I) If the power cord is damaged, it must be replaced by the manufacturer or a qualified service engineer in order to avoid a harzad.
- J) Keep electrical appliances out of reach from Children or infirm persons. Do not let them use the appliances without supervision.
- K) Indoor use only.
- L) Do not dispose of electrical appliances as unsorted municipal waste, use separate collection facilities.

- M) Contact you local government for information regarding the collection systems available.
- N) If electrical appliances are disposed of in landfills or dumps, hazardous substances can leak into the groundwater and get into the food chain, damaging your health and well-being.
- O) When the appliance is not in use and before cleaning, unplug the appliance from the outlet.



4. INSTALLATION INSTRUCTIONS

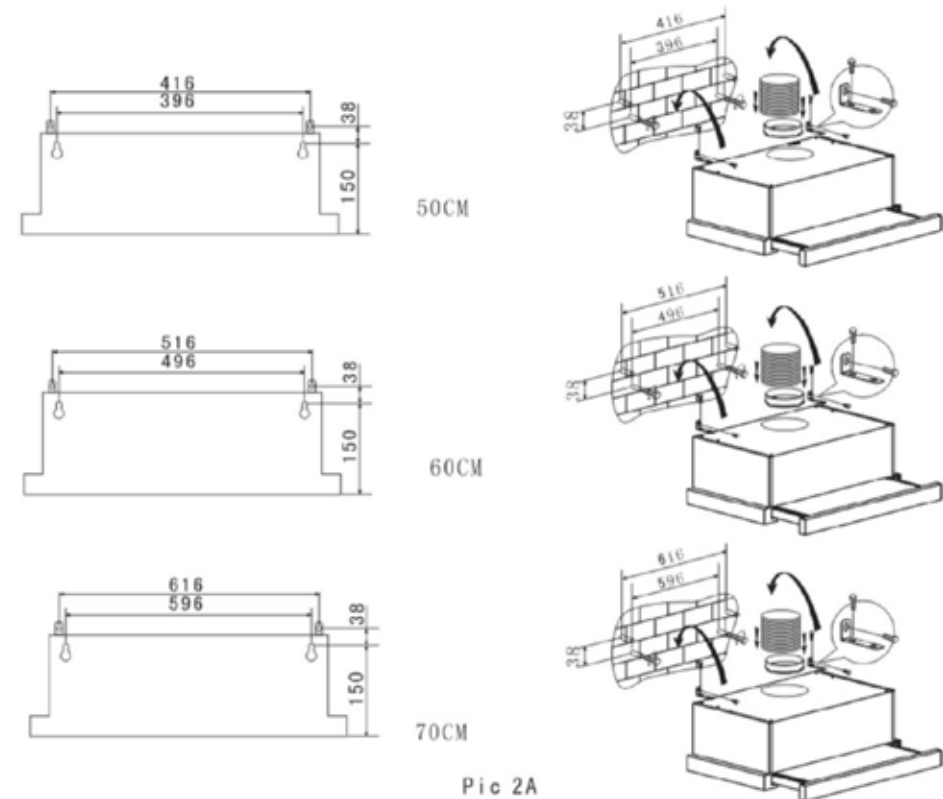
The cooker hoods should be placed at a distance of 65-75cm from the cooking surface for best effect. (See Pic 1)



Pic 1

Way one: (See Pic 2A)

- 4.1.1 To install onto the wall drill 4 holes of 8mm on a suitable place according with the centre distance of hole in the back of the cooker hood.
- 4.1.2 Insert the wall plugs into the holes.
- 4.1.3 Insert the screws into the wall pulgs and tight the screws.
- 4.1.4 Put up the cooker hood onto the fixed screws.
- 4.1.5 Put the one air outlet and extensible pipe onto the cooker hood. (the extensible pipe is optional not supplied)



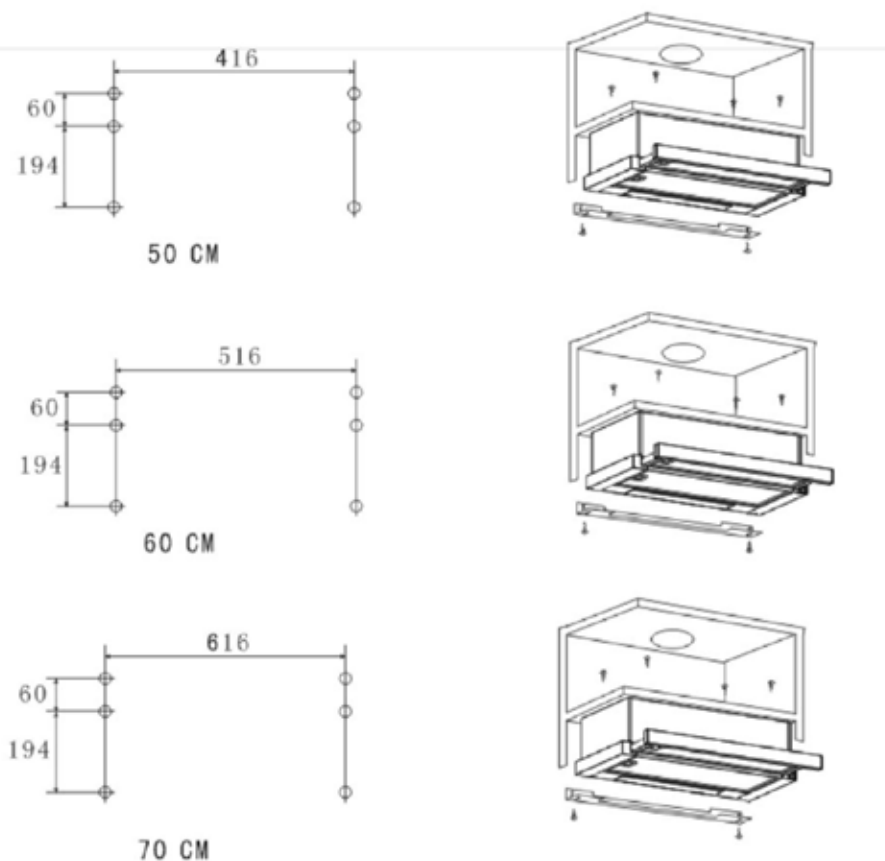
Pic 2A

Way two: (See Pic 2B)

4.2.1 Drill 6 holes of 4mm diameter at the bottom of the hanging cupboard

4.2.2 Put the air outlet on the cooker hood, then install the cooker hood on the bottom of the cupboard, tighten the hood with enclosed 6 screws.

4.3.3 Install the adjusted board on the bottom of the hood in order to keep out the gap between hood back and cupboard.



Pic 2B

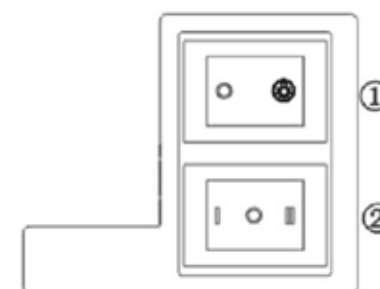
5. OPERATION

5.1 Connect the plug into the power.

5.2 Push the switch ① into “⚙️”, the lamp be on; push into “0”, the lamp be off.

5.3 Push the switch ② into “I, II”, the motor will be on “low, high” two speeds, push into “0”, the motor will be off.

5.4 The cooker hood will working at low or high speed when pull out the front panel.

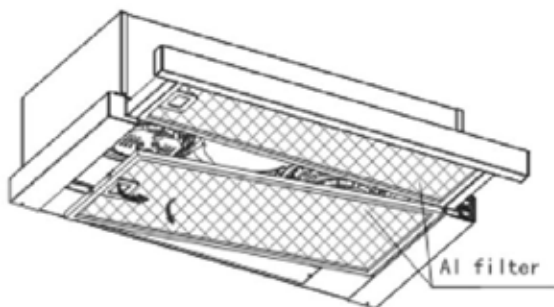


Pic 3

6. USE AND MAINTENANCE

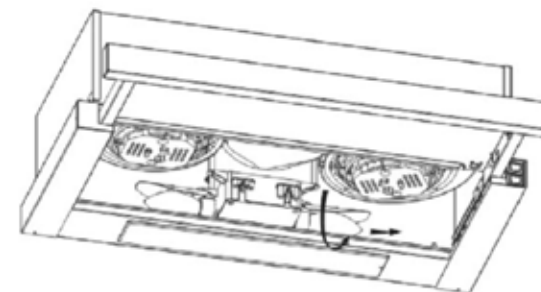
- It is recommended to operate the appliance prior to cooking.
- There shall be adequate ventilation of the room when the cooker hood is used at the same time as appliances burning gas or other fuels(not applicable to appliances that only discharge the air back into the room).
- It is recommended to leave the appliance in operation for 15 minutes after cooking is terminated in order to completely eliminate cooking vapours and odours.
- If the appliance is not used, please turn off.
- Don't have flame under the cooker hood.

- Don't use or stop use if the appliance is damaged especially the supply cord and the case.
- If the supply cord is damaged, it must be replaced by the manufacturer, its service agent or similarly qualified persons in order to avoid a hazard.
- Don't immerse the appliance in liquid.
- The exhaust air must not be discharge into a flue which is used for exhausting fumes from appliance burning gas or other fuels.
- Regulations concerning the discharge of air have to be fulfilled.
- The details concerning the method and frequency of cleaning.
- In order to prevent fire hazard, it is recommendable to clean the filter at a maximum of 2 months by carrying out the followings:
 - Unplug before cleaning, then remove the filters from the cooker hood and wash them in a solution of water and neutral liquid detergent, leaving to soak.
 - Rinse thoroughly with warm water and leave to dry.
 - The filters may also be washed in the dishwasher.
- The aluminum panels may alter in color after several washes. This is not cause for customer complaint nor replacement of panels.



Pic 4

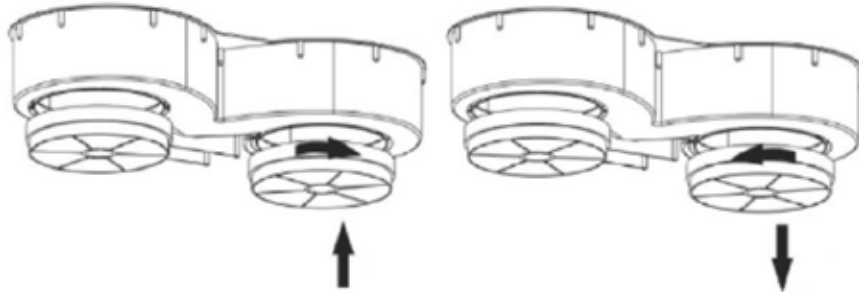
- Clean the surface of the cooker hood regularly using cloth moistened with denatured alcohol or non abrasive liquid detergent. (Remark: There can not clear the motor and inside part.)
- Replace filters approximately every 4 months.
- There is a fire risk if cleaning is not carried out in accordance with the instruction.
- Replace the lamp pls see pic 5



Pic 5

- Carbon filter (not supplied)
 - Carbon filter can be used to trap odors. Normally the activated carbon filter should be changed at three or six months according to your cooking habit. Activated carbon filter cannot be washed or recycled. The installation procedure of activated carbon filter is as below.
 - Slide the front part of the cooker hood.
 - In order to install the activated carbon filter, the Al anti-grease filter should be detached first. Press the lock and pull it downward.
 - Put the activated carbon filter into the unit and turn it in anti-clockwise direction. Repeat the same on the other side. Put back to the grease filter in position.

Note: When the activated carbon filter installed, the suction power will be lowered.



Trouble shooting

Problem	Possible cause	Solution
The extractor fan ceases to function.	The kitchen hood feed cable is not connected to the network. There is no electrical current in the network.	Connect feed cable to the network. Check that the network has electrical current.
Insufficient suction power.	Did not set to the right speed and/or air outlet being blocked.	If the kitchen hood is set up for recirculation, check that the charcoal filter is still effective. If the kitchen hood is set up for extraction, check that the ducting and outlets are not blocked. The kitchen is adequately vented to allow the entry of fresh air.

Problem	Possible cause	Solution
Hood has switched off during operation.	The safety cut-out device has been tripped.	Turn off the hood and then wait for the device to reset. If the hood has been installed below the heights indicated in the installation instructions, the motor will cut-out frequently which may damage the hood.
The lamps do not light up.	The lamps are burnt out. The lamps are loose.	Change the lamps. Tighten the lamps.
Oil leakage.	One-way valve and air ventilation entrance not tightly sealed. Leakage from the connection of U-shaped section and cover.	Seal with glue on the one-way valve. Seal with soap or paint on U-shaped section.
Hood shakes during operation.	Leaf is damage. The body or motor tightly hung.	Replace the leaf as a damaged leaf causes shaking. Lock the motor tightly or fix the body tightly, respectively.