

EVE

Instruction Manual

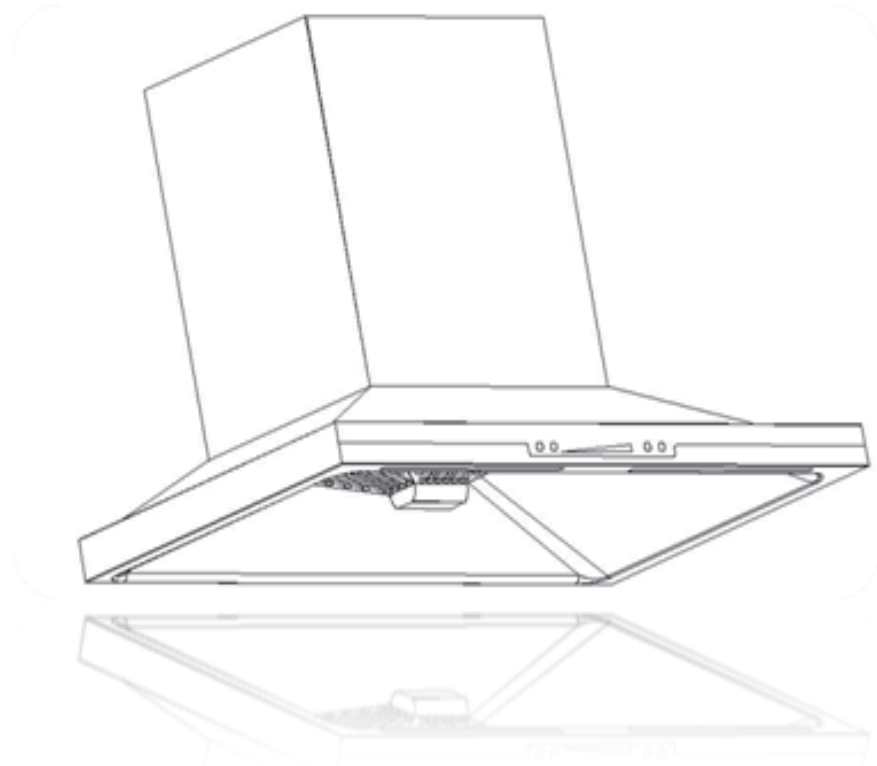
**COOKER HOOD
HC-HEE22HM-90**

Cooker Hoods Instruction Manual

Outline figure and applicable Model	2
Precautions	3
Product Description	4
Installation Instructions	5
Instructions for use	8
Care and maintenance	11
Troubleshooting	13
Electrical circuit diagram	14

Outline figure and applicable Model

Precautions



This guide is intended models:

HCF** Series

Read the instructions carefully before using this product (safekeeping manual, to prepare information)

1, the packaging of the new range hood

Please dispose of such packaging materials in an environmentally friendly attitude, in order to maintain a good environment.

Do not allow children to play with plastic film and crates, these may produce suffocation hazard, so please let the packaging away from children, the packaging materials are not toys.

2, the disposal of the old range hood

When the old range hood can not be reused, it is recommended to be treated as a state can not be used again, then discarded.

Old range hood contains useful material to assist in the proper disposal or recycling reusable, so as to contribute to environmental protection.

3, before the new range hood

If it is found that the range hood obvious damage, do not install and use, please immediately contact your local service center of the company.

The range hood exhaust efflux style.

Do not allow unsupervised children and the infirm alone use the range hood.

If the range hood is not in use for a long time, disconnect the power plug from the outlet

Special note:

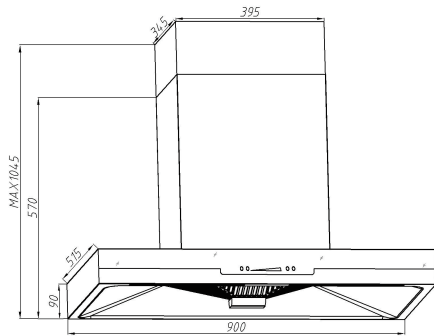
For the protection of the safe and proper use of the product (including the air ducts and other parts) for installation and maintenance professionals must be assigned by the Company. As a result of consumers commissioned by non-company personnel assigned or consumer self-installation and maintenance, and products not normally use, even during the warranty period, do not belong to a free repair range.

Applicable models: the manual applies to the following models, please carefully check the model you purchased.

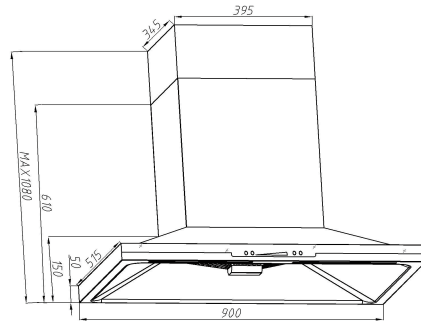
(Icon dimensioning for reference only, the maximum height of the MAX value of the range hood can be stretched)

Product Description

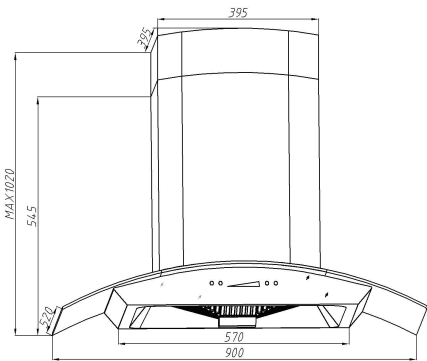
Installation Instructions



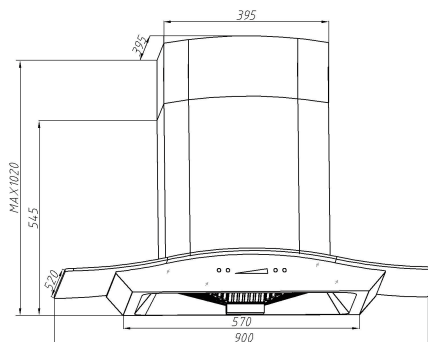
HCF22H



HCF52H



HCF92B



HCF93B

2, the technical parameters

Model	HCF ** Series	The machine rated input power	253W	Main motor rated input power	250W
Power supply	AC 220V/50Hz	Maximum Airflow	17m3/min	Noise	70dB (A)
Lighting power	2*1.5W	Dimensions	See figure		

1, the installation before you go

1) range hood is installed as shown in Figure 1, the range hood is installed above the gas stove, the lowest parts of the cooker hob with range hood. The distance between 65cm to 75cm. Will affect the range hood smoking effect too high, too low may affect your cooking, specifically according to the family.

Adjust personnel Height.

2) cooker hood exhaust gas should not be discharged for discharging combustion smoke use the hot flue gas or other fuels. (Proposed emission To the outdoors or the general public flue).

3) bend duct is too long, or the wind pipe too much will affect the smoking effect, selecting an installation site prior to installation, so that the the smoke fumes function to achieve the best effect of smoking.

2 Installation Preparation

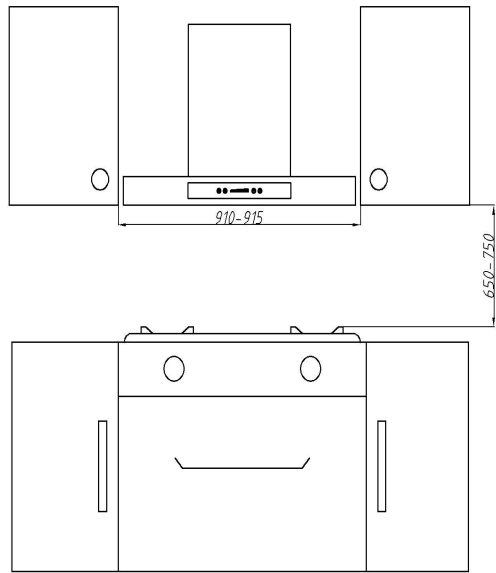
1) install a range hood should prepare the following tools: 1, a belt of $\Phi 10$ and a $\Phi 6$ drill an impact drills; 2, crosshead screwdriver; 3, pencil a horizontal ruler; 4, a.

2) set a power outlet next to the installation location of the range hood, and make sure the outlet is grounded in the drilling of the wall should be away from the wall buried wires, power can not install.

3) installing a range hood wall has sufficient strength.

4) packing list:

Installation Instructions



(Figure 1, in mm)

No.	Name	Quantity
1	Range Hood	1 set
2	A duct	A
3	Out of the wind cover	1 set
4	Both interior and exterior cover	1 set
5	Fixation	A
6	Steel expansion bolts M6*50	2 sets

No.	Name	Quantity
7	Plastic Expanding Φ 8*35	2 sets
8	Wood screws ST4.2*38	2 sets
9	Oil Cup	1 set
10	Aluminum foil tape 600*50m	2 sets
11	Cross slot big flat head screws M4*8	2 sets
12	instruction manual	A

Installation Instructions

3. fixed range hood

Good installation height is calculated according to Figure 1, the first $\Phi 10$ drill on the wall (as shown in Figure 2) drilled distance

From 260mm two holes and maintain the level of the hole depth of 50 mm.

Then away from the ceiling 10mm at $\Phi 6$ the drill drilled distance and maintain the level of the two holes of 250mm, the hole depth

40mm. (Please ensure that the four-hole centerline on the same line) steel expansion bolts (No. 6) stuffed into the hole, remove the above M6 nut and washer, and range hood vertical hanging wall steel expansion tighten the nut on the bolts, and then loaded on the M6 nuts and washers, and then adjust the angle range hood fixed. Wind shield and rubber pad and remove the four screws (No. 3), a wind shield and rubber pads on the range hood vent with screws, remove the duct (No. 2) Plug one end of the hood The slot reuse aluminum foil tape (No. 10) circumferentially stuck, the other end is fixed on the public flue or direct access to the outdoor.

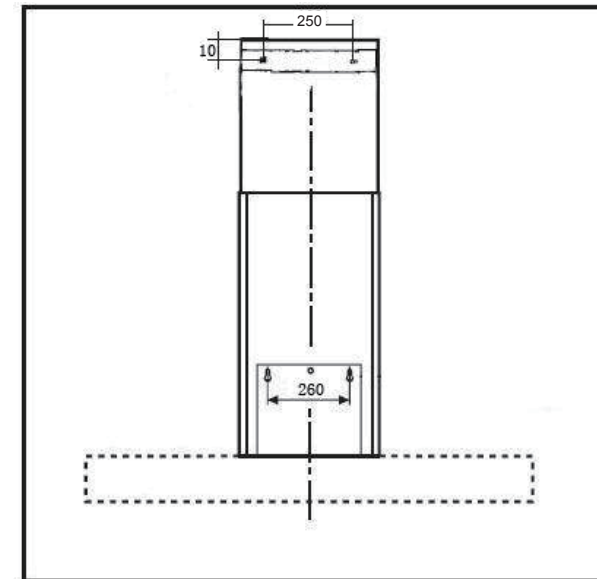


Figure 2

Instructions for use

4, fixed decorative cover

Fixed range hood, the first plastic tube expander plugged into the wall $\Phi 6$ hole (No. 7), the holder (No. 5) is fixed to the wall with screws (No. 8). Then both interior and exterior cover (No. 4) sets after put the range hood above, and the outer decorative cover is fixed to the side of the range hood hook.

Inner trim cover is then pulled up until the inner trim cover is aligned with the fixation side of the two holes, and with screws (No. 11) is fixed, in Figure 3.

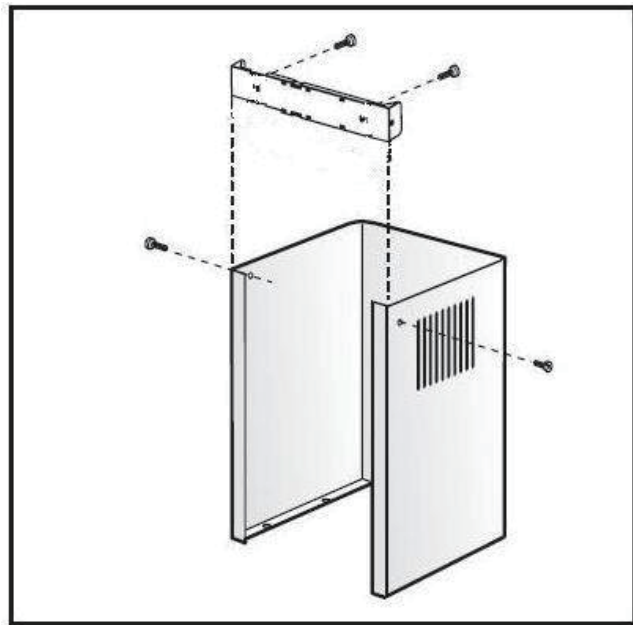
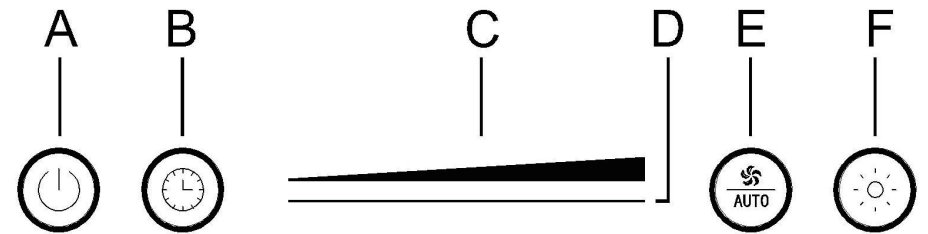


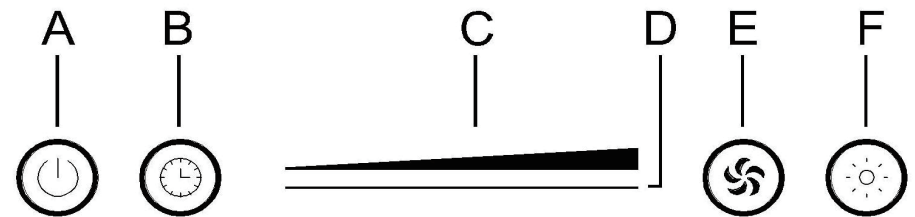
Figure 3

Instructions for use

Instructions for use



(Figure A) with automatic function switch



(Figure B) without automatic function switch

Range hood features you purchased, see Figure A or Figure B of the operation.

First, the operating instructions

A == power on / off

B == automatically stop the timer on / off

The C == stalls, counting time display

The D == sliding touch strips

E == motor, automatic on / off

The F == lamps on / off

Power on, press the A key, A key indicator lights, the All button to enter standby.

Instructions for use

1) If you press the B key, B key indicator, the motor is the most low start, and the default time of 15 minutes, stop the clock display flashes can change to stop the clock time sliding touch D and C display (display every five minutes), after 3 seconds, the the B key indicator flashes, most low-grade to enter the timing the motor stops running, sliding touch D to change the motor stalls and C display, full The grid for stir gear, when the motor running in the a stir gear, C the last two frames on the display flashes.

2) If you press the E key, the motor is the most low start sliding touch D to change the motor stalls, and C on the display shows the full grid stir files, when the motor is running in the file of the stir, C the last two frames on the display flashes.

(Note: This product is the default the stir files can only run 150 seconds, after running automatically downshift.)

When the motor is running, press the B button, B button indicator lights and C screen starts flashing, you can change to stop the clock time sliding touch D and C display (display every five minutes), 3 seconds after, B indicator flashes, the motor into the timing to stop running; To cancel this function, press the B button again.

3) when the F key is pressed, the indicator light lighting lights; then press the F key, lighting the lamp.

If you purchased a range hood with automatic function, please read the following instructions:

When the products enter standby or run in any one stall, 3 seconds long press the E key, the E key indicator starts blinking fast, the motor will stop rotating and 60 seconds environmental detection, 60 seconds later, E key indicator flashes quickly into a slow-flashing stage, the automatic function is turned on. When the air in the gas concentration reaches a certain level or the temperature suddenly increased, the motor automatically turns on, the motor running stalls to the concentration and temperature of the gas in the air, to drop back to normal as the gas concentration and temperature of the air, followed by motor down file work until the range hood is automatically turned off.

Care and maintenance

In automatic mode, such as to cancel three seconds long press the E key, the light stops blinking, or simply press the A key shutdown.

Second, the warning:

In some cases, electrical appliances may be very dangerous.

- A) when the range hood is running, do not check the filter.
- B) used for a long time, do not touch the bulb and its nearby area.
- C) in the hood under the non-direct open flame.
- D) Do not use a free flame, because he may damage the filter and may cause a fire.
- E) frequently viewed fried pot to avoid the oil temperature overheating caused fire.
- F) for repair before you unplug the power outlet.
- G) This appliance prohibits children or physically weak people use
- H) shall supervise the children, to ensure that it is not playing next to the appliance.
- I) When the use of range hoods and burning gas or other fuel-efficient stoves, ventilate the room well.
- J) to clean the appliance, it is best to wear protective gloves, hood edge may be sharp.
- K) in hood underneath allows the use of six stove
- L) baking range hood prohibited fire directly.
- M) if the power cord is damaged, only replace the power cord with the company's dedicated.
- N) non-removable native non-professionals.
- O) there is the risk of fire if not cleaned according to the instructions prescribed method, range hood.

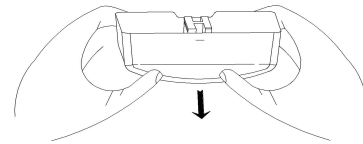
The statement of the manufacturer refused to accept any responsibility for any consequences caused by the violation of the above operating procedures.

Care and maintenance

- We recommend that you first commissioning before cooking appliances for about 15 minutes to completely eliminate water vapor and odors.

Care and maintenance

- regularly with a damp cloth dipped in industrial alcohol or detergent to wash the filter and other hood surface.
Suggestion: use the range hood, wipe the surface of the range hood once. Every three days and clean range hood air inlet filter.
Every twelve months cleaning impeller (This only professionals cleaning)
- When integrated oil in the oil cup is more than two-thirds (highest Does not exceed the level warning lines) with both hands out level Gently pull the oil cup, tossed away the waste oil, such as the right. (Non-demolition process of the range hood or stove use too much force to prevent demolition, in order to avoid to plot oil spills the countertops of pollution or accidents)
- The lamp apparatus is designed for cooking, instead designed for ambient lighting. Over prolonged use lighting will shorten its life.

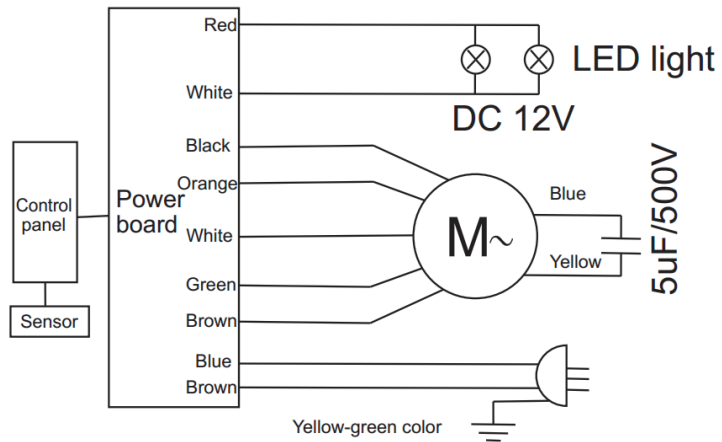


Troubleshooting

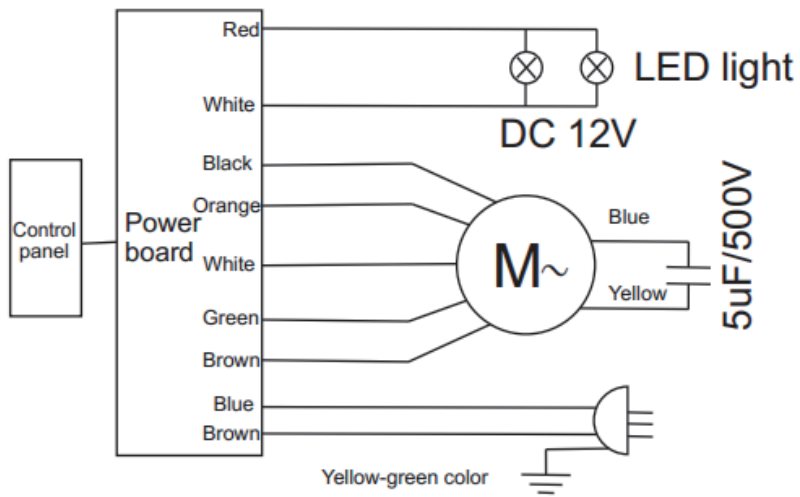
Fault	Reason for this failure may arise	Workaround
Range hood does not work	No power	Check that the plug is plugged in Check that the switch is turned on
The motor is running but no air	A duct or a wind shield clogging	Contact technical staff
Stop working after a few minutes the motor running	The high temperature safety device to start	Kitchen ventilation is not good enough
	Range hood installation from the kitchen stove too close	Range hood at least 65cm distance away from the kitchen surfaces
Suction is not strong	Range hood and kitchen surfaces are too far away or the wind pipe is too long	The reinstall Hood (Contact technical staff)
rease dripping on the surface of the stove	Range hood tilt	The reinstall Hood (Contact technical staff)
Strange sounds	The fan blades come into contact with an unknown object	Contact technical staff

Electrical circuit diagram

Electrical circuit diagram with automatic function switch



The following is without electrical circuit diagram of the automatic function switch



Electrical circuit diagram

For discard this product, you should properly handle or pay professionals to deal should not simply be thrown away, so as not to harm the environment or cause other hazards.



Specifications in this manual is applicable to their specific products and models described by the date of publication, please confirm with the sales staff in a timely manner.

