



BUILT-IN GAS HOB

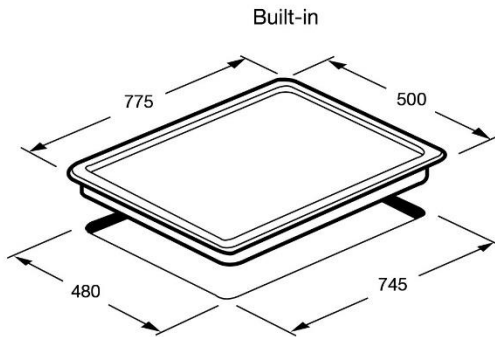
Barcode : 8851737033982
Model name : HB76-2AMBHE/GBG

DETAILS:

Electrical Supply	DC, Battery size D x 1
Safety	Flame failure device with quick acting thermocouple
Ignition	Electric ignition under knob (one hand ignition)
Gas type	LPG
Gas working pressure	0.04 kg/cm ²
Gas inlet port (connect with LPG hose)	Ø 9.5 mm.
Cutting size	775 x 500 mm.
Cabinet	800 mm.
Type of installation	Inset into the worktop from above
Minimum clearance between cooktop and hood:	700 mm.
Minimum clearance between furniture	150 mm. with thermal insulation fitted
Recommendation	For the appliance with more than 12kW, room ventilation, room size and hood must be observed

Technical Drawing

HB76-2AMBHE/GBG



Technical detail

Power max : 12,000 W

Dual : 2 x 6,000 W

Dimension : 775 x 500 mm.

Cutting size : 745 x 480 mm.

Weight Gross : 18 Kg.

FREE 1 x Cast iron wok support

