

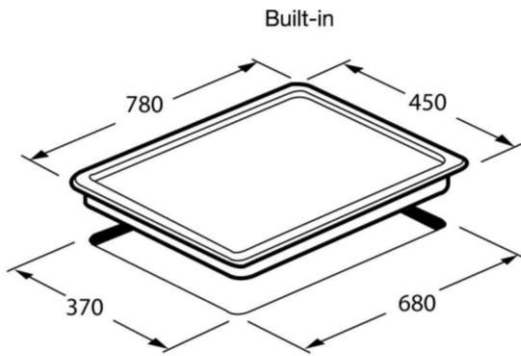
BUILT-IN GAS HOB

Barcode : 8851737033906
Model name : HB78-2BSQ/BG

DETAILS:

Electrical Supply	DC, Battery size D x 1
Safety	Flame failure device with quick acting thermocouple
Ignition	Electric ignition under knob (one hand ignition)
Gas type	LPG
Gas working pressure	0.04 kg/cm ²
Gas inlet port (connect with LPG hose)	Ø 9.5 mm.
Cutting size	680 x 370 mm.
Cabinet	800 mm.
Type of installation	Inset into the worktop from above
Minimum clearance between cooktop and hood:	700 mm.
Minimum clearance between furniture	150 mm. with thermal insulation fitted
Recommendation	For the appliance with more than 12kW, room ventilation, room size and hood must be observed

Technical Drawing



Technical detail

Power max : 11,500 W

Dual : 2 x 5,750 W

Dimension : 780 x 450 mm.

Cutting size : 680 x 370 mm.

Weight Gross : 15.46 Kg.

