



ELECTRICAL HOB

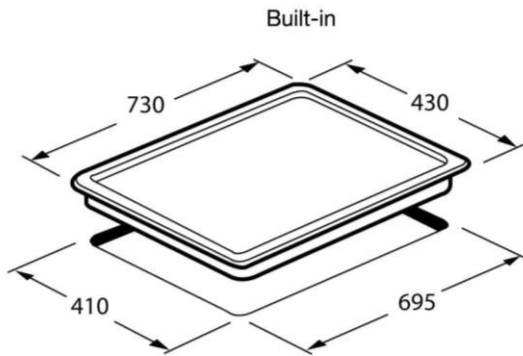
Barcode : 8851737034002

Model name : HB73-2IND/TC

DETAILS:

Total connected load	4 kW.
Connecting cable	1 m without plug
Voltage	220 - 240 V
Frequency	50-60 Hz.
Type of command	Touch control with 9 power settings and independent 0-99 min. timer
Heating type	Induction
Recommended wire size	2.5 sq.mm. (single-phase)
Recommended breaker size	27 A
Finish	Black ceramic glass
Built-in edging	Vertical edge
Cutting size:	695 x 410 mm.
Cabinet	800 mm.
Type of installation	Inset into the worktop from above
Minimum clearance between cooktop and hood	650 mm.
Minimum clearance between furniture:	150 mm. with thermal insulation fitted

Technical Drawing



Technical detail

Left zone : \varnothing 210 mm. x 2,000 W. (Power boost 2,300 W.)

Front zone : \varnothing 210 mm. x 2,000 W.

Dimension : 288 x 520 mm.

Cutting size : 268 x 500 mm.

Weight Gross : 9.8 Kg.