

STAINLESSSTEEL – BLACK GUNMETAL

DOUBLE BOWL WITHOUT DRAINER

Barcode: 8851737208717

Model: CARBONYTE 2B 1000/520 + Acc.

DETAILS

BLACK GUNMETAL STAINLESSSTEEL DOUBLE BOWL SINK WITHOUT DRAINER

Gunmetal finish is obtained by treating the steel with a physical process called PVD (Physical Vacuum Deposition) and N-surface coating process which deposits particles of noble metals on the surface. The result is more resistant to shocks and scratches.

Edge 4 mm.

Dimension: 1000 x 520 mm.

Bowl Dimension Left- Right: 455 x 400 mm.

Depth: 228 mm.

FREE: Waste fitting 3.5", basket strainer waste PVD gunmetal, Round Soap Dispenser PVD Gunmetal, Twin chopping board

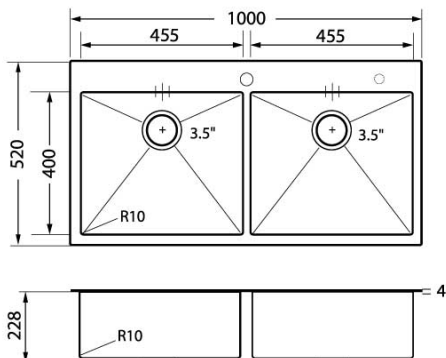
TECHNICAL DATA

Packaging 580 x 1060 x 280 mm.

Cut Out Dimension: 980 x 500 mm.

Gross Weight 16.2 Kg.

TECHNICAL DRAWING



FREE

