



STAINLESSSTEEL – BLACK GUNMETAL

SINGLE BOWL WITHOUT DRAINER

Barcode: 8851737208601

Model: CARBONYTE 810/520 + Acc.

DETAILS

BLACK GUNMETAL STAINLESSSTEEL SINGLE BOWL SINK WITHOUT DRAINER

Gunmetal finish is obtained by treating the steel with a physical process called PVD (Physical Vacuum Deposition) and N-surface coating process which deposits particles of noble metals on the surface. The result is more resistant to shocks and scratches.

Edge 4 mm.

Dimensions: 810 x 520 mm.

Bowl Dimension: 750 x 400 mm.

Depth: 228 mm.

FREE: Waste fitting 3.5", basket strainer waste PVD gunmetal, Round Soap Dispenser PVD Gunmetal, Twin chopping board

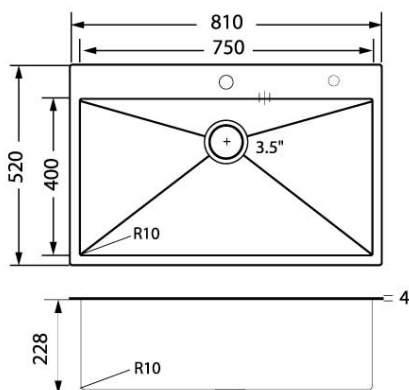
TECHNICAL DATA

Packaging 585 x 870 x 280 mm.

Cut Out Dimension: 790 x 500 mm.

Gross Weight 14.3 kg.

TECHNICAL DRAWING



FREE

