



STAINLESSSTEEL SINK

DOUBLE BOWL WITH DRAINER

Barcode: 8851737208571

Model: MIRACLE 1200/510 LH + Acc.

DETAILS

STAINLESSSTEEL DOUBLE BOWL SINK WITH DRAINER

Stainless steel satin finish is obtained by treating the steel with N-surface coating process. The result is more resistant to shocks and scratches.

Edge 4 mm.

Dimensions: 1200 x 510 mm.

Bowl Dimension: Large 500 x 400 mm. Small 350 x 400 mm.

Depth: 220 mm.

FREE: Waste fitting 3.5", N-Surface basket strainer waste, Round Soap Dispenser, Twin chopping board

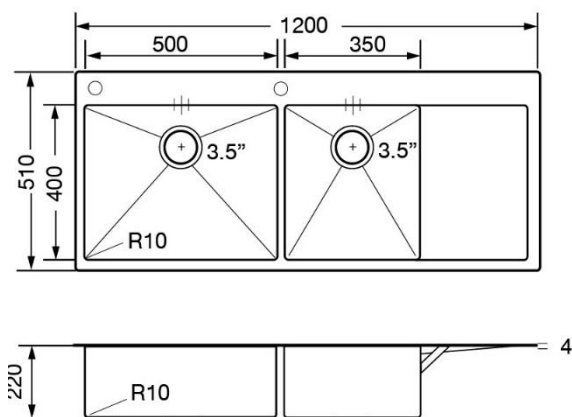
TECHNICAL DATA

Packaging 570 x 1260 x 250 mm.

Cut Out Dimension: 1180 x 490 mm.

Gross Weight 19 kg.

TECHNICAL DRAWING



FREE

