



STAINLESSSTEEL SINK

DOUBLE BOWL WITH DRAINER

Barcode: 8851737040959

Model: IMPERIAL 1200/500

DETAILS

STAINLESSSTEEL DOUBLE BOWL SINK WITH DRAINER

Dimensions: 1200 x 500 mm.

Bowl Dimensions Left - Right: 360 x 400 mm.

Depth: 210 mm.

FREE: Waste fitting 3.5", basket strainer waste, Cold water Taps (Othello)

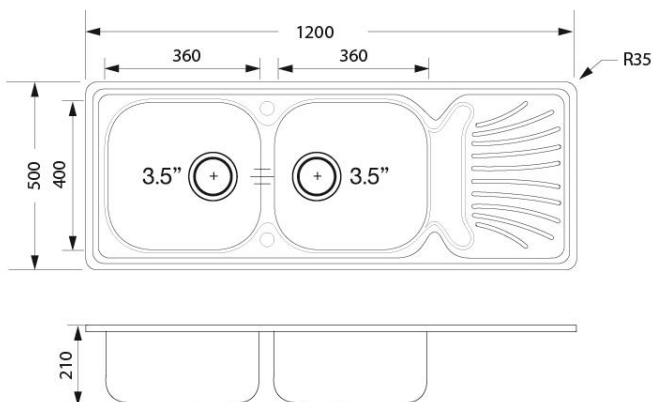
TECHNICAL DATA

Packaging 540 x 1230 x 220 mm.

Cut Out Dimension: 1180 x 480 mm.

Gross Weight 8.5 kg.

TECHNICAL DRAWING



FREE

