



STAINLESSSTEEL SINK

Type with stand, 1 hole, 1 plate rest

Barcode: 8851737042960

Model: EASY 750/430

DETAILS

Stainless steel sink type with stand, 1 hole, 1 dish rest

Dimensions: 750 x 430 x 800 mm.

Bowl Dimension: 401 x 340 mm.

Depth: 170 mm.

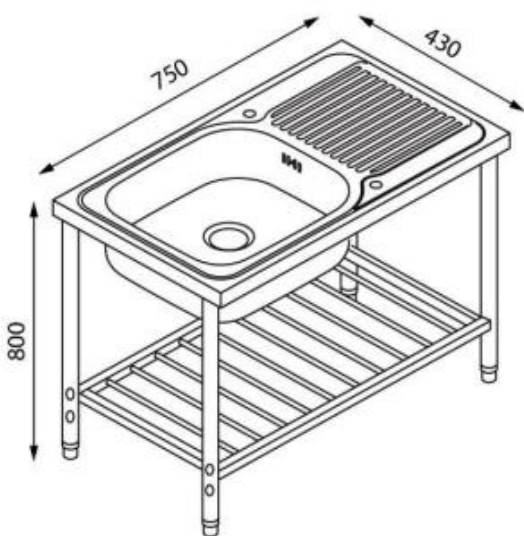
FREE: Waste fitting 3.5", basket strainer waste 110 mm., Cold water Taps (Othello)

TECHNICAL DATA

Packaging 770 x 480 x 210 mm.

Gross Weight 9 kg.

TECHNICAL DRAWING



FREE

