

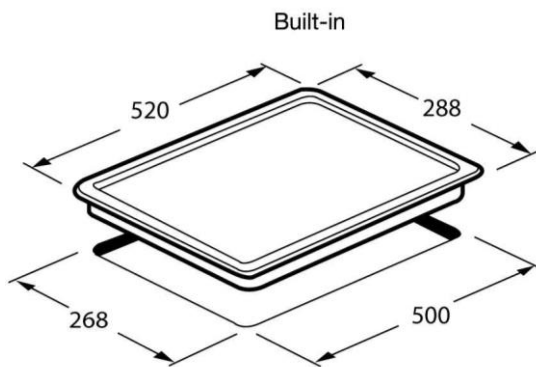
## ELECTRICAL HOB

**Barcode** : 8851737032565  
**Model name** : HB30-2VC/TC

### DETAILS:

<b>Total connected load</b>	3 kW.
<b>Connecting cable</b>	1 m without plug
<b>Voltage</b>	220 - 240 V
<b>Frequency</b>	50-60 Hz.
<b>Type of command</b>	Touch control with 9 power settings and independent 0-99 min. timer
<b>Heating type</b>	Vitro ceramic with ribbon heating element
<b>Recommended wire size</b>	2.5 sq.mm. (single-phase)
<b>Recommended breaker size</b>	20 A
<b>Finish</b>	Black ceramic glass
<b>Built-in edging</b>	Vertical edge
<b>Cutting size:</b>	268 x 500 mm.
<b>Cabinet</b>	300 mm.
<b>Type of installation</b>	Inset into the worktop from above
<b>Minimum clearance between cooktop and hood</b>	650 mm.
<b>Minimum clearance between furniture:</b>	150 mm. with thermal insulation fitted

## Technical Drawing



## Technical detail

Rare zone :  $\varnothing$  200 mm. x 1,800 W.

Front zone :  $\varnothing$  165 mm. x 1,200 W.

Dimension : 288 x 520 mm.

Cutting size : 268 x 500 mm.

Weight Gross : 5.8 Kg.