



STAINLESSSTEEL SINK

Type with stand, 2 holes, 1 plate rest

Barcode : 8851737042816

Model : ALTON 1200/500

Stainless steel sink with stand, 2 holes, 1 dish rest

Dimensions:: 1200x 500 x 800 mm.

Bowl Dimension: : 340 x 400 mm.

Depth: : 190 mm.

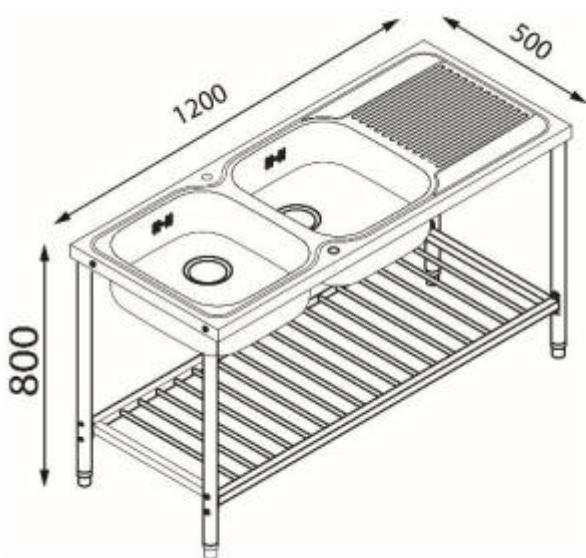
FREE: Waste fitting 3.5", basket strainer waste, Stainless steel cover

TECHNICAL DATA

Packaging 1230 x 260 x 530 mm.

Gross weight 12.5 Kg.

TECHNICAL DRAWING



FREE

