



STAINLESSSTEEL SINK

Type with stand, 1 hole, 1 plate rest

Barcode : 8851737042809

Model : ALTON 1000/500

DETAILS

Stainless steel sink, type with stand, 1 hole, 1 dish rest

Dimensions:: 1000x 500 x 800 mm.

Bowl Dimension: : 530 x 390 mm.

Depth: : 240 mm.

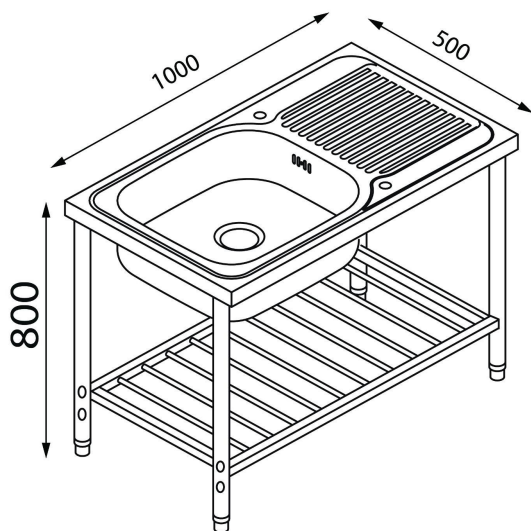
FREE: Waste fitting 3.5", basket strainer waste, Stainless steel cover

TECHNICAL DATA

Packaging 1030 x 260 x 530 mm.

Gross weight 10.8 Kg.

TECHNICAL DRAWING



FREE

