



STAINLESSSTEEL SINK

Type with stand, 1 hole, 1 plate rest

Barcode :
8851737042823

Model : ATHENS
1000/500

DETAILS

Sink for washing dishes with a stand, 2 holes, without a place to rest.

Dimensions: 1000 x 500 mm.

Bowl Dimension: : 438 x 400 mm.

Depth: 210 mm.

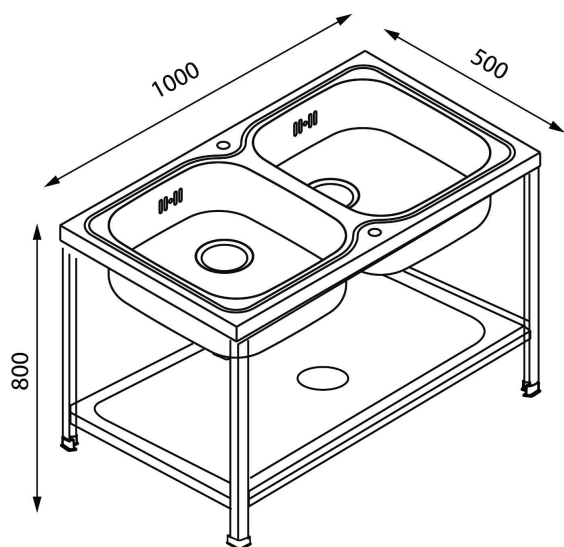
FREE: Waste fitting 3.5", basket strainer waste, Stainless steel cover

TECHNICAL DATA

Packaging 1030 x 260 x 530 mm.

Gross weight 13.5 Kg.

TECHNICAL DRAWING



FREE

