



## TOPTABLE HOB

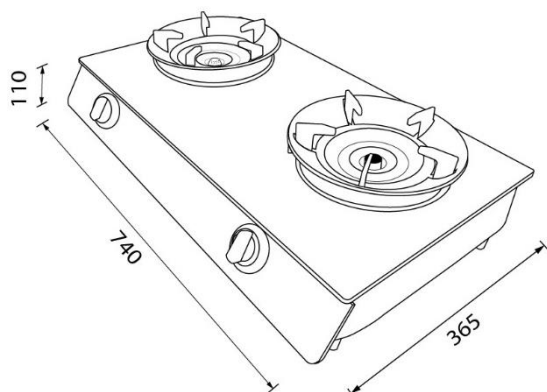
**Barcode** : 8851737034392

**Model name** : HP75-2Q/FGB

### DETAILS:

<b>Safety</b>	Flame failure device with quick acting thermocouple
<b>Ignition</b>	Electric ignition under knob (one hand ignition)
<b>Gas type</b>	LPG
<b>Gas working pressure</b>	0.04 kg/cm <sup>2</sup>
<b>Gas inlet port (connect with LPG hose)</b>	Ø 9.5 mm.
<b>Cabinet</b>	900 mm.
<b>Type of installation</b>	Inset into the worktop from above
<b>Minimum clearance between cooktop and hood</b>	700 mm.
<b>Minimum clearance between furniture</b>	150 mm. with thermal insulation fitted
<b>Recommendation</b>	For the appliance with more than 12kW, room ventilation, room size and hood must be observed

### Technical Drawing



### Technical detail

**Dimension** : 740 x 365 x 110 mm.

**Weight Gross** : 10.2 Kg.