



## GRANITE SINK – BLACK

### DOUBLE BOWL WITHOUT DRAINER

Barcode : 8851737213421

Model : PHONIX  
900/480 BLACK

## DETAILS

BLACK GRANITE COMPOSITE DOUBLE BOWL SINK WITHOUT DRAINER (TOPMOUNT)

Dimensions: 900 x 480 mm.

Bowl Dimension: Large - 450 x 430 mm. Small - 375 x 335 mm.

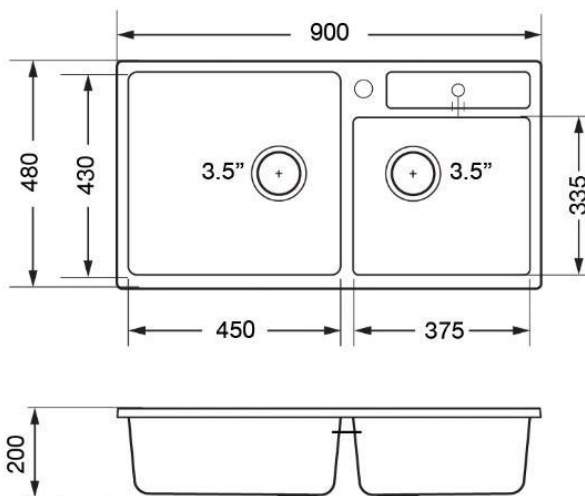
Depth: 200 mm.

FREE: Waste fitting 3.5", basket strainer waste, Black roll rack

## TECHNICAL DATA

Packaging	580 x 970 x 280 mm.
Dimension	900 x 480 mm.
Cut Out Dimension	860 x 450 mm.
Gross weight	19 Kg.

## TECHNICAL DRAWING



## FREE

