



BUILT-IN GAS HOB

Barcode : 88517370344884
 Model name : HBS76-2AMBHE/FB

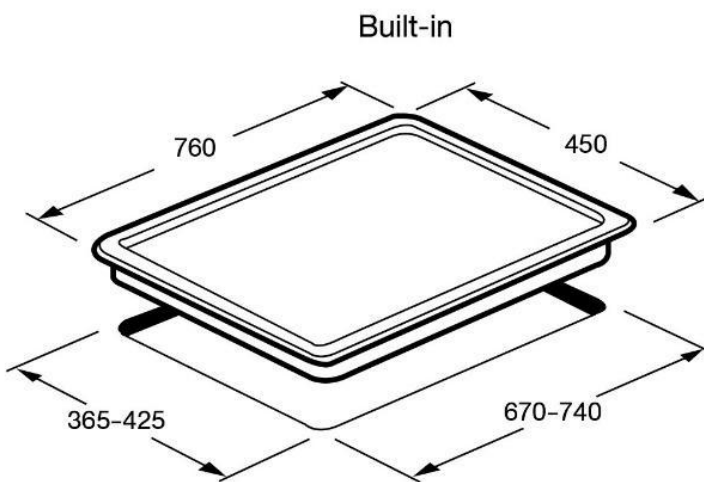
DETAILS:

Electrical Supply	DC, Battery size D x 1
Safety	Flame failure device with quick acting thermocouple
Ignition	Electric ignition under knob (one hand ignition)
Gas type	LPG
Gas working pressure	0.04 kg/cm ²
Gas inlet port (connect with LPG hose)	Ø 9.5 mm.
Cutting size	670-740 x 365-425 mm.
Cabinet	800 mm.
Type of installation	Inset into the worktop from above
Minimum clearance between cooktop and hood:	700 mm.
Minimum clearance between furniture	150 mm. with thermal insulation fitted
Recommendation	For the appliance with more than 12kW, room ventilation, room size and hood must be observed

TECHNICAL DETAIL :

Power max:	12,000 W
Dual:	2 x 6,000 W
Packaging:	540 x 825 x 175 mm.
Product Dimension:	760 x 450 mm.
Cut-Out Dimension:	670-740 X 365-425 mm.
Gross Weight:	15 kg

TECHNICAL DRAWING :



Free 1 x Cast iron wok support

